

MICROFOCUS X-RAY TUBES

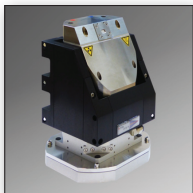
PRODUCT LINE XC



Product image



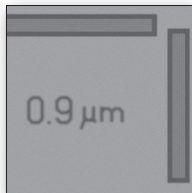
Microfocus X-ray tube XWT-225-XC



Reflection tube head



Transmission tube head



JIMA resolution 0.9 μm^T

Images show options

Technical data

Data	Product line XC			
Max. voltage (kV)	160	190	225	240
Min. voltage (kV)	20			
Max. current (mA)	3.0 ^R / 1.0 ^T			
Min. current (mA)	0.05			
Max. power, emission (Watt)	350 ^R			
JIMA resolution (μm)	2.0 ^R / 0.9 ^T			
Tube type	Dual head			
Target types	Reflection / Transmission			
Target material (substrate/active layer)	Tungsten / Beryllium			
Min. focus-object-distance (FOD, mm)	4.0 ^R / 0.25 ^T			
Opening angle (approx. °)	30 ^R / 160 ^T			
Mounting length incl. 90° HV plug (mm)	709 ^R / 718 ^T	225 kV: 779 ^R / 809 ^T 240 kV: 870 ^R / 901 ^T		
Tube weight (approx. kg)	53	78		

^R Reflection tube

^T Transmission tube

Highlights

- ▶ Exchangeable tube heads with automatic recognition
- ▶ Ultimate tube power of 350 Watt / 240 kV^R
- ▶ JIMA resolution 0.9 microns (μm)^T
- ▶ Paramount flexibility for versatile applications
- ▶ Automatic Intensity Control (AIC) for continuous intensity of radiation
- ▶ Automatic tube calibration for optimum performance
- ▶ Easy maintenance with adjusted ready-to-use click-in cathodes and automatic tube venting
- ▶ Unlimited lifetime

See our new catalogue **Options and Accessories** to find additional auxiliary equipment for your X-RAY WorX tube.

Scope of delivery

- ▶ Open microfocus X-ray tube with reflection tube head, transmission tube head, turbo vacuum pump, vacuum gauge, and electronic drive unit
- ▶ High voltage generator and high voltage cable
- ▶ Prevacuum pump with vacuum hose
- ▶ Cooling unit with hoses and cooling agent
- ▶ Tube controller, power supplies, and safety relays on 19" mounting panels
- ▶ Set of cables for electrical connection of X-ray tube and components
- ▶ Spare parts case, documentation, and operating software

Product Line XC

JIMA resolution^T

High Brightness target		Voltage [kV]				
		70	90	110	150	
Mode / Target power [W]	Submicron	0.5	0.9	0.9	1.0	1.5
		0.7	0.9	0.9	1.0	1.5
		1.0	0.9	0.9	1.5	1.5
Microfocus	1.5	2.0	2.0	2.0	2.0	
	2.0	2.0	2.0	2.0	2.0	
	3.0	2.0	2.0	2.0	2.0	
	4.0	2.0	2.0	2.0	2.0	

^T Transmission tube

Focal spot size^R

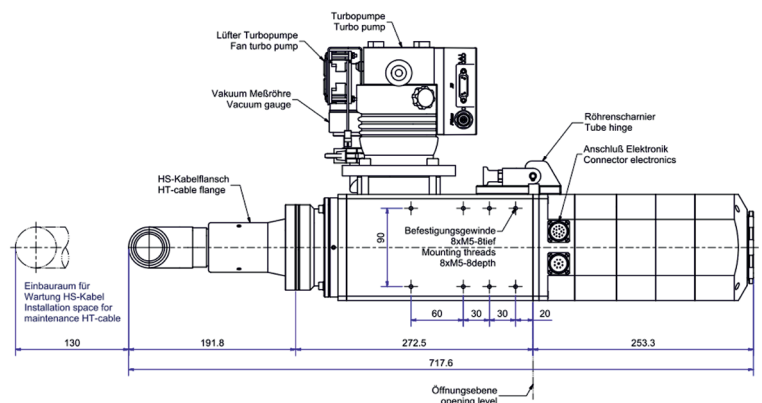
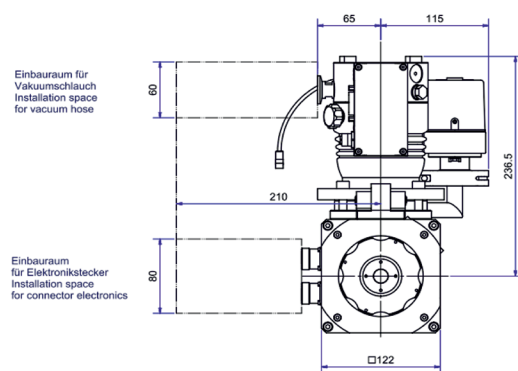
Target power [W]		Voltage [kV]						
		60	100	150	190	225	240	300
Target power [W]	50	60	75	60	50	50	50	50
	100	100	120	110	100	100	100	100
	150	150	200	150	150	150	140	140
	200		280	200	200	200	180	180
	250		350	250	250	250	250	250
	300			320	300	300	300	300

Focal spot sizes in microns (μm) based on measurements according to EN 12543-5.

^R Reflection tube

Tube dimensions

Dimensions of XWT-160-XC/ XWT-190-XC with transmission tube head



Dimensions of XWT-225-XC with reflection tube head

