

MICROFOCUS X-RAY TUBES

PRODUCT LINE RAC SUPERFOCUS



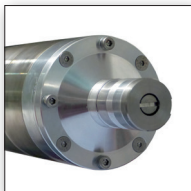
Product image



Microfocus X-ray tube XWT-225-RAC-Superfocus

Technical data

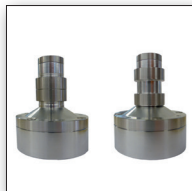
Data	Product line RAC Superfocus				
Max. voltage (kV)	160	190	225	240	300
Min. voltage (kV)	20	20	20	20	50
Max. current (mA)	3.0	3.0	3.0	3.0	3.0
Min. current (mA)	0.05	0.05	0.05	0.05	0.05
Max. power, emission (Watt)	320	320	320	320	320
Tube type	Rod anode				
Target types	Panoramic / Reflection				
Rod anode length (mm)	580 / 730 / 960				
Rod anode diameter (mm)	70				
Tube weight (approx. kg)	45	45	66	66	85



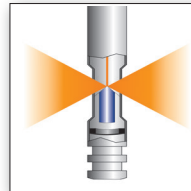
Target head with panoramic P1 target



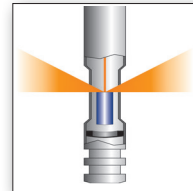
Reflection target head with reference block to measure focal spot size



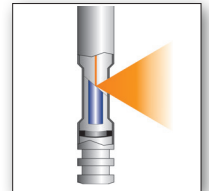
Panoramic target head with variable collimator



Panoramic target (P1)



Panoramic target (P2)



Reflection target (P3)

Images show options

Highlights

- ▶ Internal cooling of target and sealings
- ▶ Full support of new standard EN ISO 17636-2
- ▶ Flexible use for film (RT), computed radiography (CR), and digital radiography (DR)
- ▶ Automatic calibration for optimum performance
- ▶ Different target types for high flexibility
- ▶ Easy maintenance with adjusted ready-to-use click-in cathodes and automatic tube venting
- ▶ Unlimited lifetime

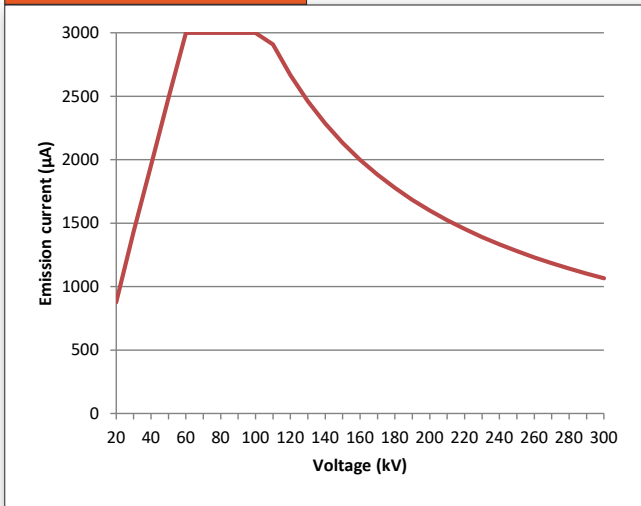
See our new catalogue **Options and Accessories** to find additional auxiliary equipment for your X-RAY WorX tube.

Scope of delivery

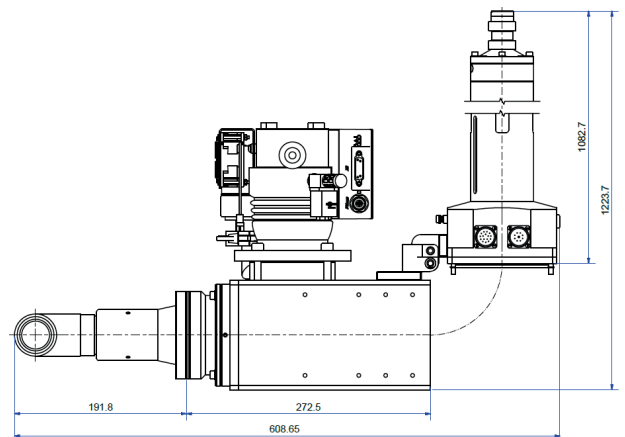
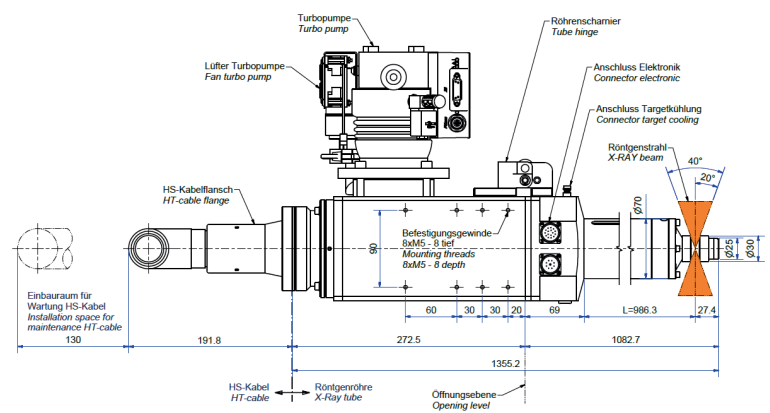
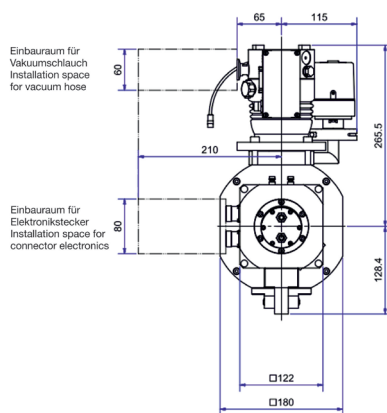
- ▶ Open microfocus X-ray tube with rod anode, target cooling, turbo vacuum pump, vacuum gauge, and electronic drive unit
- ▶ High voltage generator and high voltage cable
- ▶ Prevacuum pump with vacuum hose
- ▶ Cooling unit with hoses and cooling agent
- ▶ Tube controller, power supplies, and safety relays on 19" mounting panels
- ▶ Set of cables for electrical connection of X-ray tube and components
- ▶ Spare parts case, documentation, and operating software

Product Line RAC Superfocus

Power rating chart



Tube dimensions



Dimensions of XWT-225-RAC Superfocus / XWT-240-RAC Superfocus