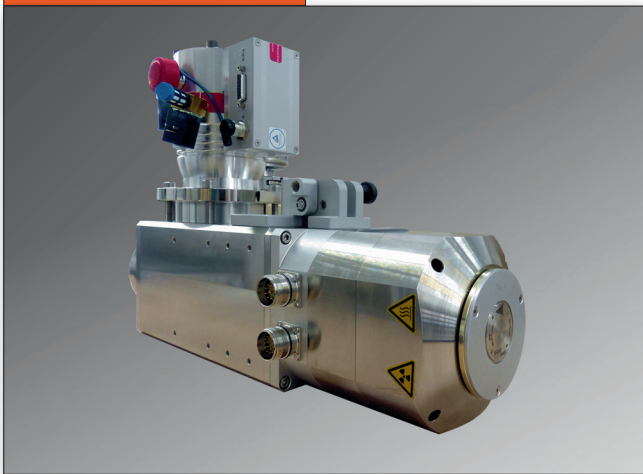


MICROFOCUS X-RAY TUBES

PRODUCT LINE T

2D

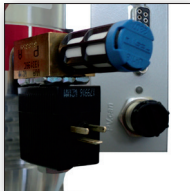
Product image



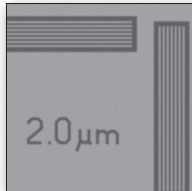
Microfocus X-ray tube XWT-160-T



Ready-to-use (RTU)
click-in cathode



Automatic venting valve



JIMA resolution 2.0 μm

Technical data

Data	Product line T			
	160	190	225	240
Max. voltage (kV)	160	190	225	240
Min. voltage (kV)	20	20	20	20
Max. current (mA)	1.0	1.0	1.0	1.0
Min. current (mA)	0.05	0.05	0.05	0.05
Max. power, target (Watt)	10	10	10	10
JIMA resolution (μm)	2.0	2.0	2.0	2.0
Tube type	Transmission			
Target type	High Brightness			
Target material (substrate/active layer)	Beryllium / Tungsten			
Min. focus-object-distance (FOD, mm)	0.25	0.25	0.25	0.25
Opening angle (approx. °)	160	160	160	160
Mounting length incl. 90° HV plug (mm)	625	625	716	808
Tube weight (approx. kg)	30	30	51	51

Highlights

- ▶ Automatic Intensity Control (AIC) for continuous intensity of radiation
- ▶ Automatic tube calibration for optimum performance
- ▶ Easy maintenance with ready-to-use click-in cathodes and automatic tube venting
- ▶ Easy to integrate into inspection systems
- ▶ Flexible position of tube hinge, vacuum flange, and electronic connectors
- ▶ Unlimited lifetime

See our new catalogue **Options and Accessories** to find additional auxiliary equipment for your X-RAY WorX tube.

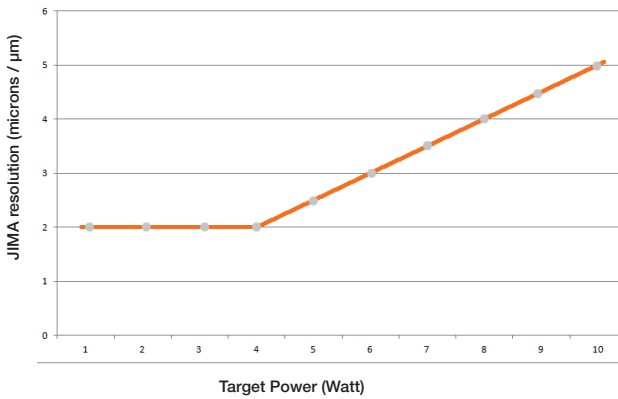
Scope of delivery

- ▶ Open microfocus X-ray tube with transmission target, turbo vacuum pump, vacuum gauge, and electronic drive unit
- ▶ High voltage generator and high voltage cable
- ▶ Tube controller, power supplies, and safety relays on 19" mounting panels
- ▶ Prevacuum pump with vacuum hose
- ▶ Set of cables for electrical connection of X-ray tube and components
- ▶ Spare parts case, documentation, and operating software

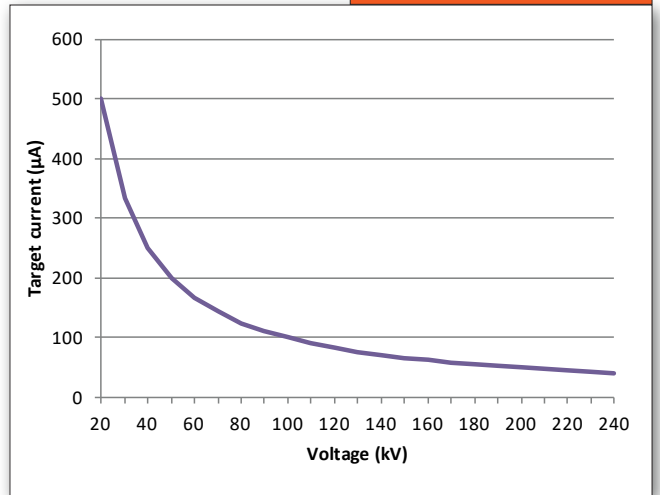
Product Line T

JIMA resolution

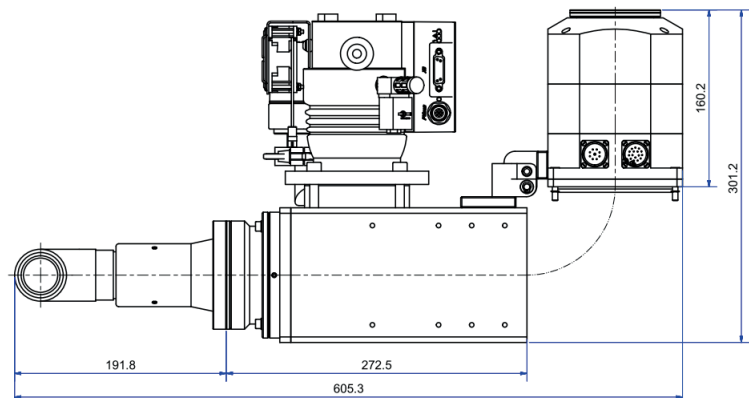
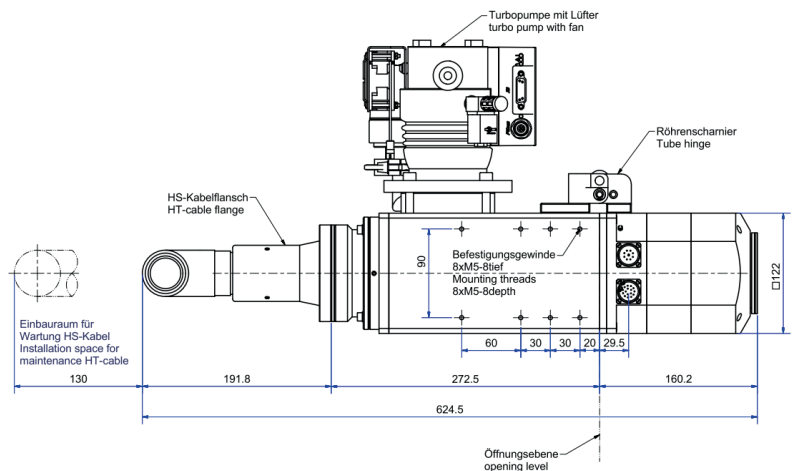
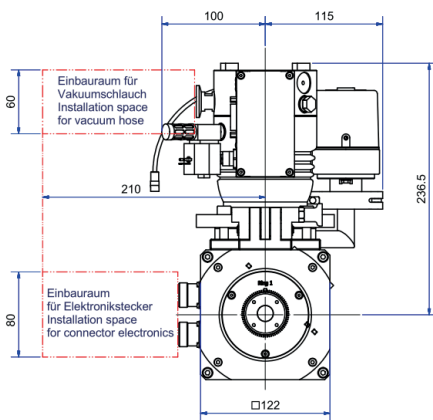
Resolution for voltages of 100 kV – 160 kV



Power rating chart



Tube dimensions



Dimensions of XWT-160-T / XWT-190-T