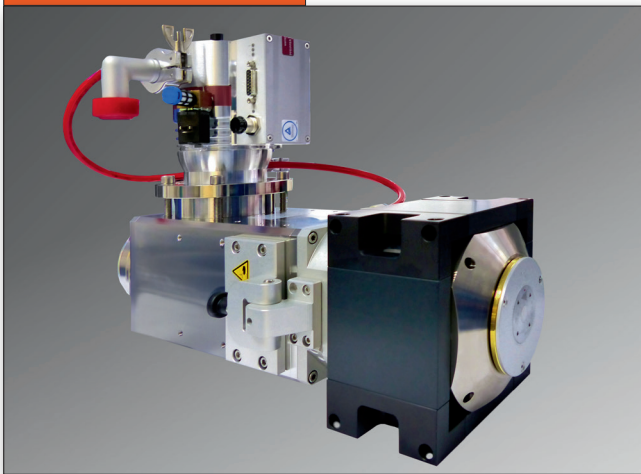


# MICROFOCUS X-RAY TUBES

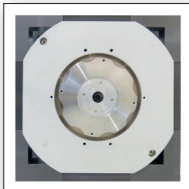
## PRODUCT LINE *THE*



### Product image



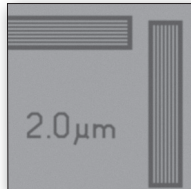
Microfocus X-ray tube XWT-160-THE



Tube extension with mounting threads for accessories



Transmission tube with cooling of tube head



JIMA resolution 2.0 μm

Images show options

### Technical data

Data	Product line <i>THE</i>			
Max. operating voltage (kV)	160	190	225	240
Min. operating voltage (kV)	20	20	20	20
Max. current (mA)	1.0	1.0	1.0	1.0
Min. current (mA)	0.05	0.05	0.05	0.05
Max. power, target (Watt)	25	25	25	25
JIMA resolution (μm)	2.0	2.0	2.0	2.0
Tube type	Transmission			
Target type	<i>High Energy</i>			
Target material (substrate/active layer)	Diamond / Tungsten			
Min. focus-object-distance (FOD, mm)	0.3	0.3	0.3	0.3
Opening angle (approx. °)	160	160	160	160
Mounting length incl. 90° HV plug (mm)	625	625	716	808
Tube weight (approx. kg)	30	30	51	51

### Highlights

- ▶ Outstanding 25 Watt target power
- ▶ Ultimate combination of resolution, target power, and magnification
- ▶ Developed for inline and offline computed tomography, laminography, and planar computed tomography
- ▶ Automatic Intensity Control (AIC) for continuous intensity of radiation
- ▶ Automatic venting valve for long life of vacuum components

See our new catalogue **Options and Accessories** to find additional auxiliary equipment for your X-RAY WorX tube.

### Scope of delivery

- ▶ Open microfocus X-ray tube with transmission target, turbo vacuum pump, vacuum gauge, and electronic drive unit
- ▶ High voltage generator and high voltage cable
- ▶ Tube controller, power supplies, and safety relays on 19" mounting panels
- ▶ Prevacuum pump with vacuum hose
- ▶ Set of cables for electrical connection of X-ray tube and components
- ▶ Spare parts case, documentation, and operating software

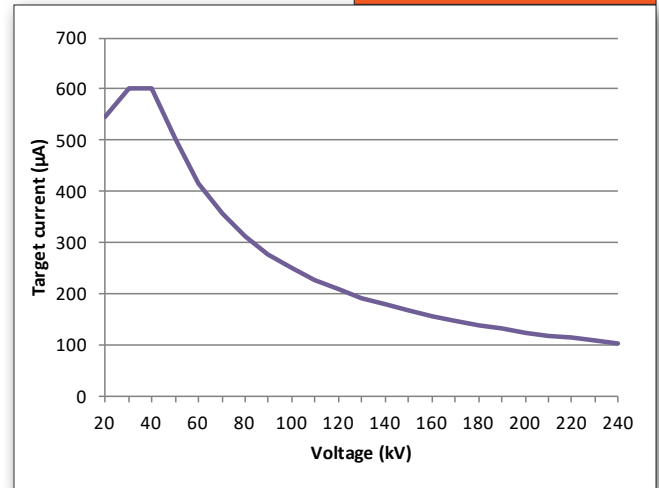
## Product Line THE

### JIMA resolution

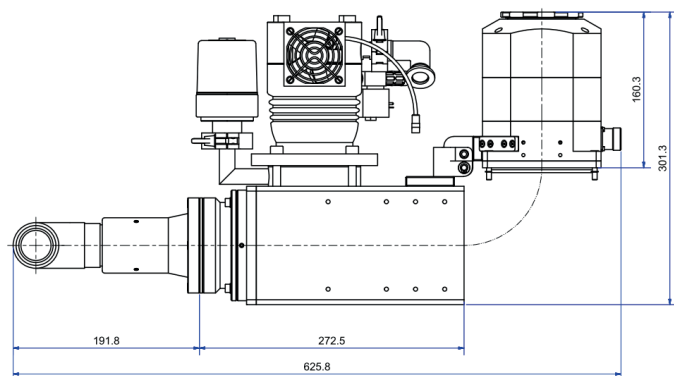
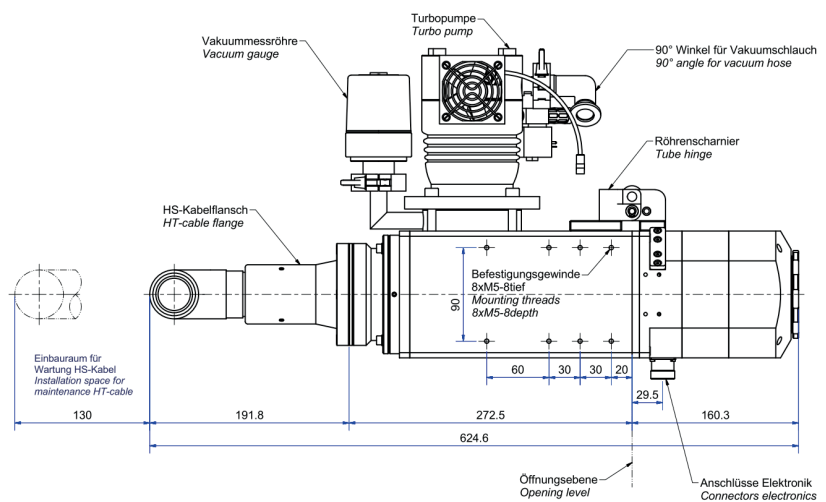
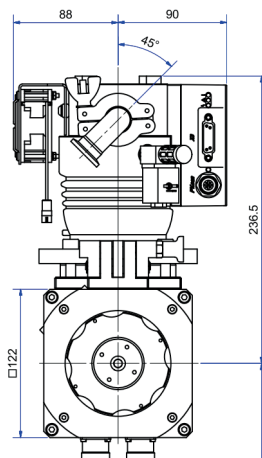
High Energy target		Voltage [kV]						
		60	100	150	190	225	240	
Mode / Target power [W]	Microfocus	1.0	3	3	2	2	2	2
		2.0	3	3	2	2	2	2
		3.0	3	3	2	2	2	2
		5.0	3	3	2	2	2	2
		7.0	3	3	2	2	2	2
		10.0	3	3	2	2	2	2
		15.0	4	3	2	2	2	2
		20.0	7	4	3	3	3	3
		25.0	10	5	5	5	5	5

JIMA resolution in microns ( $\mu\text{m}$ )

### Power rating chart



### Tube dimensions



Dimensions of XWT-160-THE / XWT-190-THE